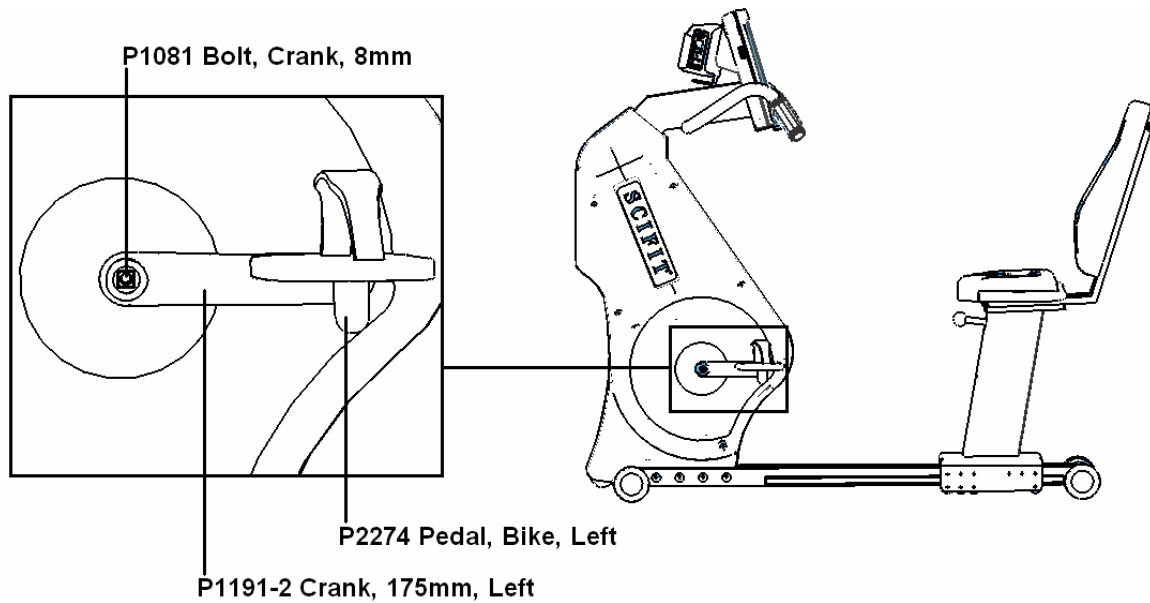


ISO1004R Crank Removal / Replacement



1. Remove the crank bolt (P1081), using an 8mm Allen wrench.
2. Pull the crank arm (P1191-1 for right side or P1191-2 for the left side) off the end of the spindle crank shaft. In some instances, this may require the use of a crank puller.
3. To reinstall, place crank arm on the end of the spindle crank shaft. **Make sure it is phased 180° from the opposite side crank arm.**
4. Place a drop of green loc-tite on the crank bolt threads and reinsert into the end of the spindle crank shaft.
5. Tighten crank bolt, using an 8mm Allen wrench.