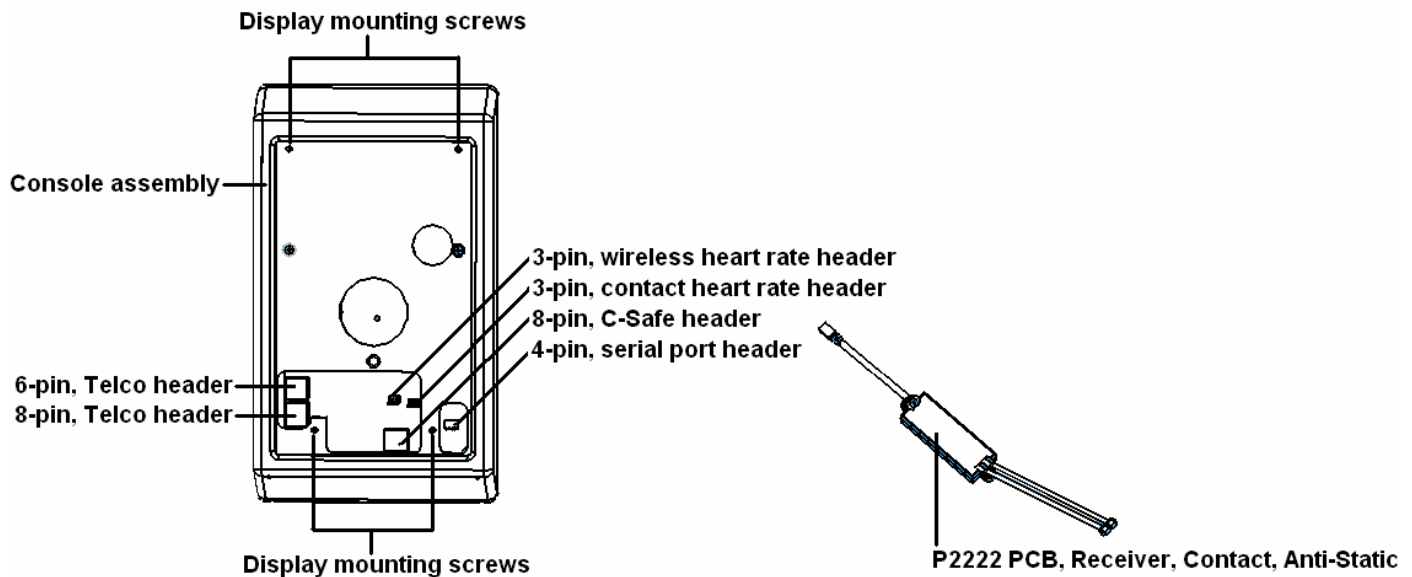


ISO1004R Contact Heart Rate PCB Replacement (Use this procedure for all ISO1004R's thru serial number 510-005402.)



1. Using a Philips screwdriver, remove the four (4) display mounting screws on the back of the display mounting plate.
2. Disconnect all cables running from the neck of the unit to the upper PCB and remove the upper console assembly from the unit. **Make sure the cables do not fall into the neck of the unit.**
3. Pop the grommet out of the hole leading down into the neck of the unit.
4. Pull the small, round, black or gray-jacketed cable that connects to the contact heart rate PCB (P2222) up through the hole in the neck until you see two (2) connection points.
5. Disconnect each connection by pressing down on the raised tabs and pulling the cables apart. **Do not let the cables fall down into the neck of the unit.**
6. Install the new contact heart rate PCB. Line up the connectors. The hook on the contact heart rate PCB cable header should line up with the raised tab on the other cable. Push the connections together until they snap in place.
7. Remove the anti-static foam from the old contact heart rate PCB and install on the new one.
8. Reinsert the contact heart rate PCB into the neck of the unit.
9. Run the cables through the center of the grommet. Reinstall the grommet into the hole of the neck.
10. Reconnect all cables to the upper PCB.
 - The contact heart rate PCB has a cable coming up from the neck of the unit. This plugs into the outermost, 3-pin Molex header next to where the wireless heart rate PCB plugs into.

- When looking at the back of the upper PCB, the Telco cables plug in along the left edge. The 6-pin plugs into the top plug and the 8-pin plugs into the bottom plug.
 - If your unit has Cardio Key, the cable plugs into the serial port, which is the 4-pin Molex header lower right corner.
 - If your unit has Broadcast Vision, Cardio Theater, etc., the cable connects to the 8-pin header located at the bottom center of the upper PCB.
11. Place the console assembly back onto the mounting plate and install the four (4) display mounting screws.