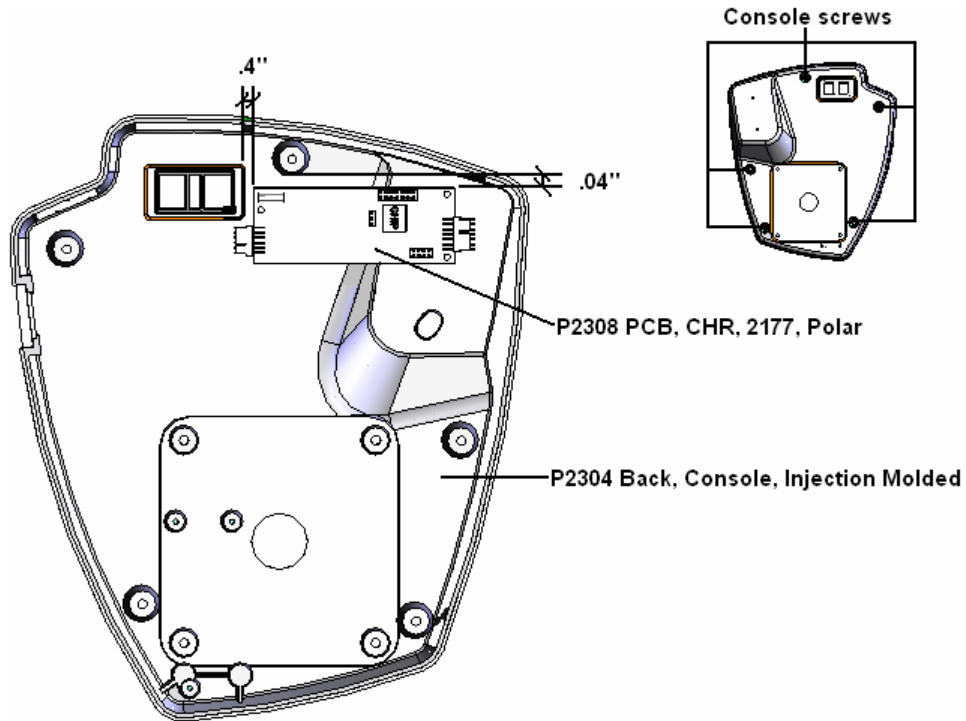
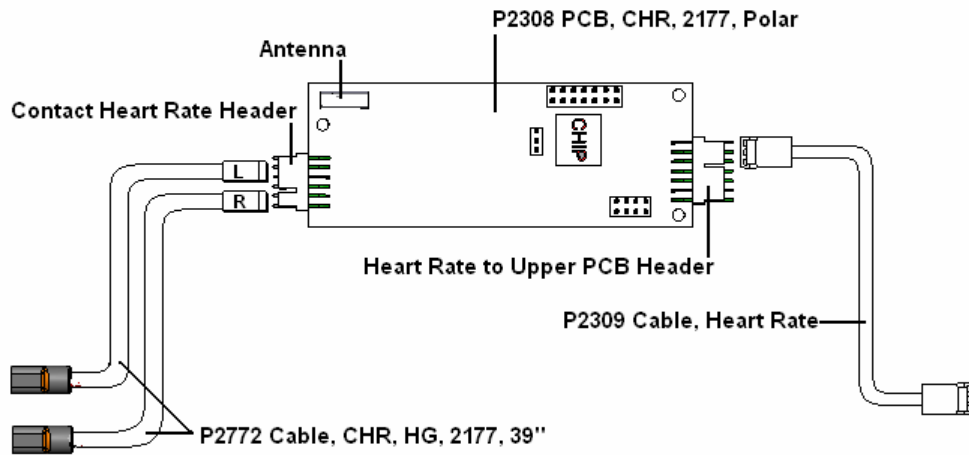


ISO1004R Combo Heart Rate PCB Replacement (Use this procedure for ISO1004R's with serial numbers 510-005579 and above.)



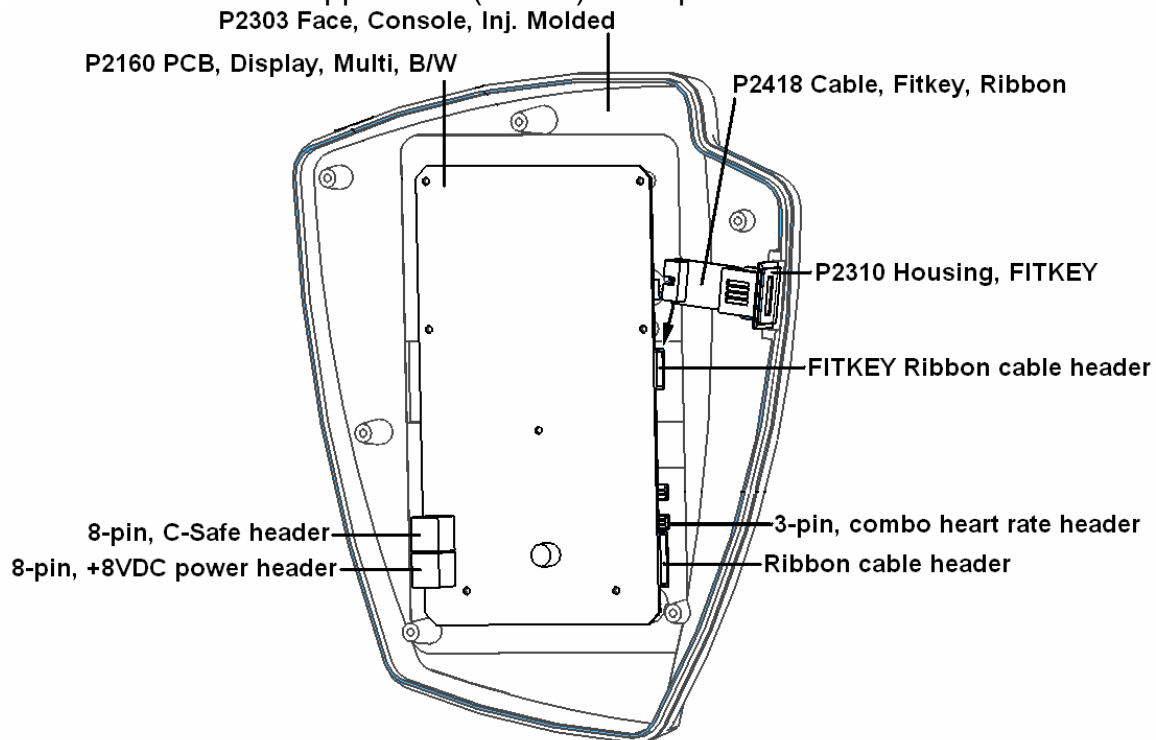
(Combo Heart Rate PCB Placement)



(Combo Heart Rate Cable Connections)

1. Remove the five (5) console screws in the console back (P2304), using a Philips screwdriver.
2. Disconnect all cables running to the upper PCB (P2160) and remove console face (P2303) from the unit. **Make sure the cables do not fall into the neck of the unit.**
3. Disconnect the three (3) cables connected to combo heart rate PCB (P2308). **Do not remove cable tie holding the wires in place.**
4. Remove old combo heart rate PCB. This is held on by hook-and-loop tape (Velcro).

5. Install new combo heart rate PCB in location shown in the drawing at the top of this procedure. **Note: The placement is very critical. The antenna will not pick up a wireless transmitter if the placement is off.**
6. Plug the hand grip cables (P2772) into the new combo heart rate PCB. **Note: The top pin is not used. The cable header with the "L" written on it plugs into the next two prongs of the contact heart rate header. The next pin is not used. The cable header with the "R" gets plugged into the bottom two prongs.**
7. Plug the heart rate cable (P2309) back into the combo heart rate PCB. **Note: This plugs into the top three prongs of the heart rate to upper PCB header. The bottom four (4) prongs are not used.**
8. Plug the other end of the heart rate cable into the wireless heart rate header on the upper PCB (P2160). See picture below.



9. Reconnect all cables to the upper PCB.
 - The ribbon cable plugs into the bottom ribbon cable header on the right side of the upper PCB (as shown in the drawing).
 - The FITKEY ribbon cable (P2418) plugs into the FITKEY ribbon cable header on the upper PCB. This header is located just above the contact heart rate header (as shown in the drawing).
 - There are two (2) gray Telco cables. The cable from the 8VDC jack affixed to the console back connects to the 8-pin, +8VDC power header on the upper PCB. The other cable from the COMM jack affixed to the console back connects to the 8-pin, C-Safe communications header.
10. Test operation using the contact grips then a chest strap. **Note: Contact Grips do not work in Heart Rate program.**