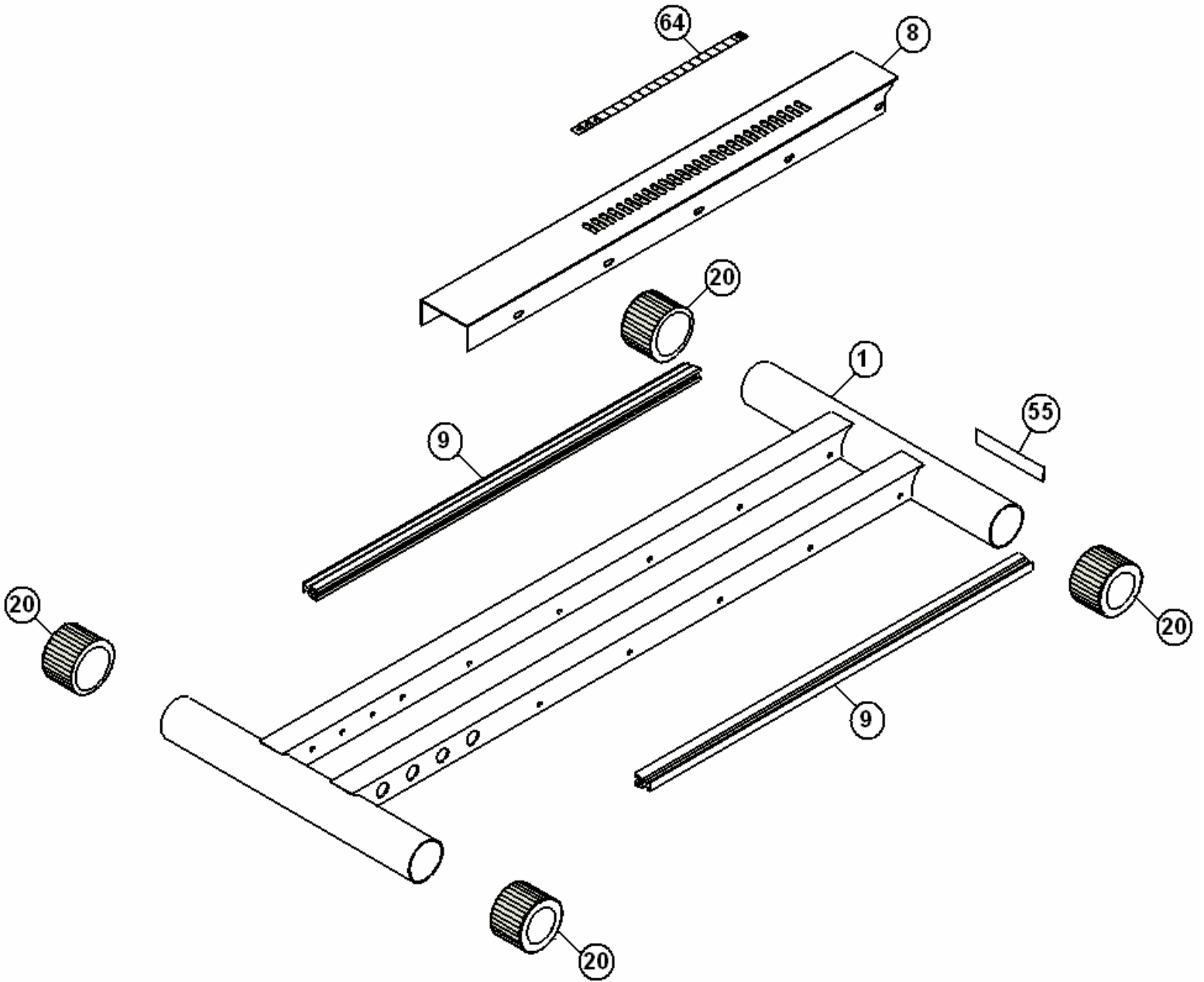
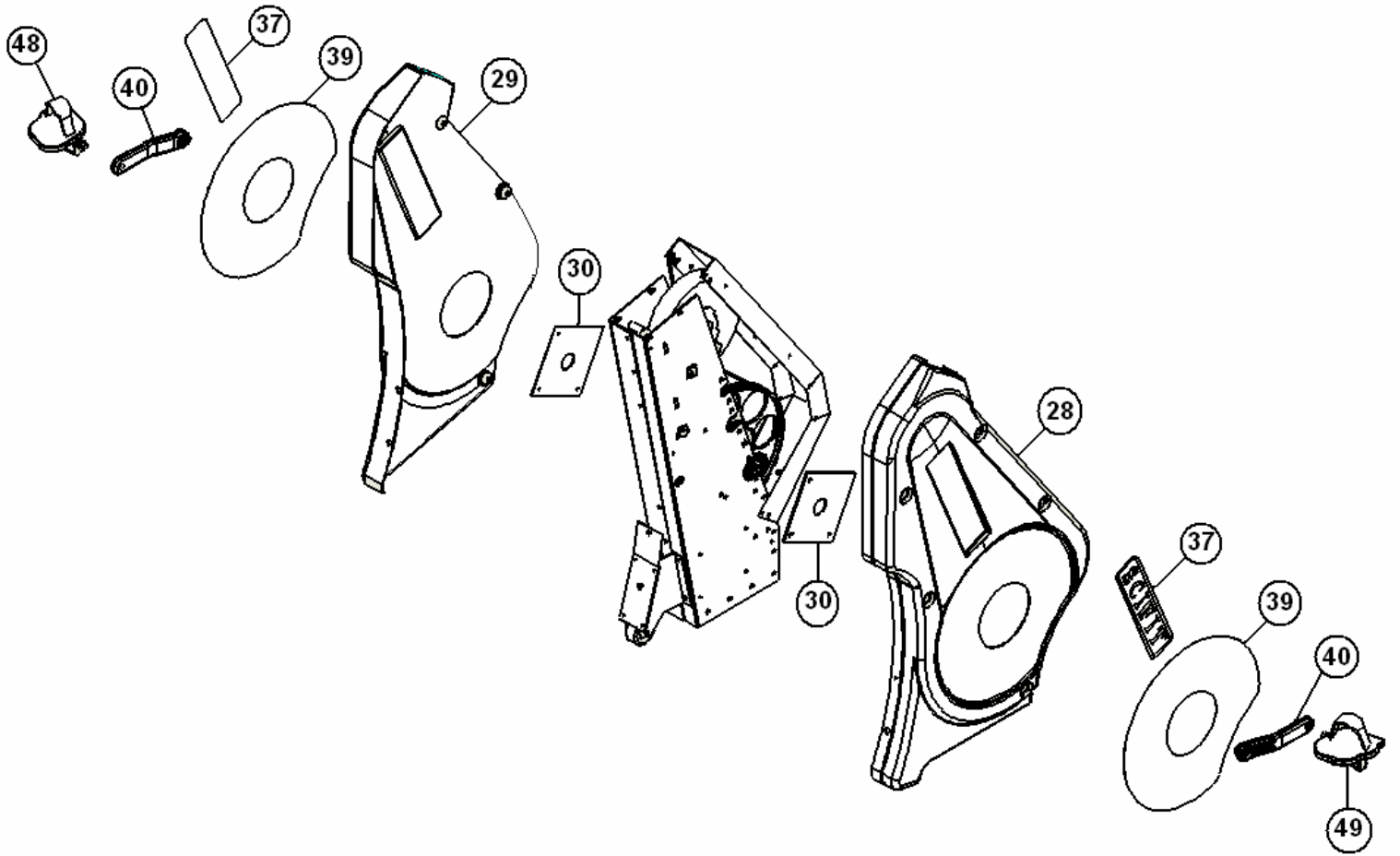
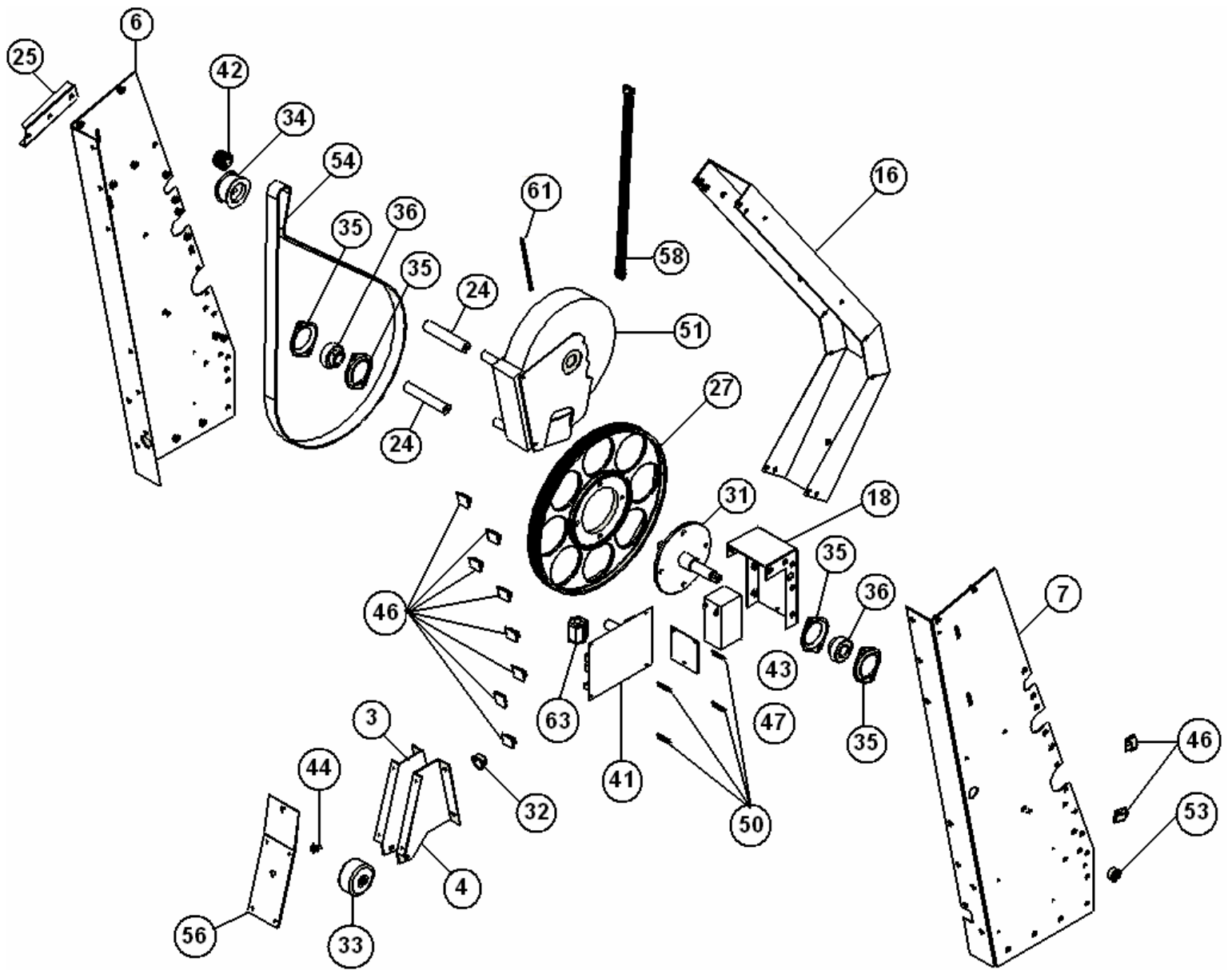
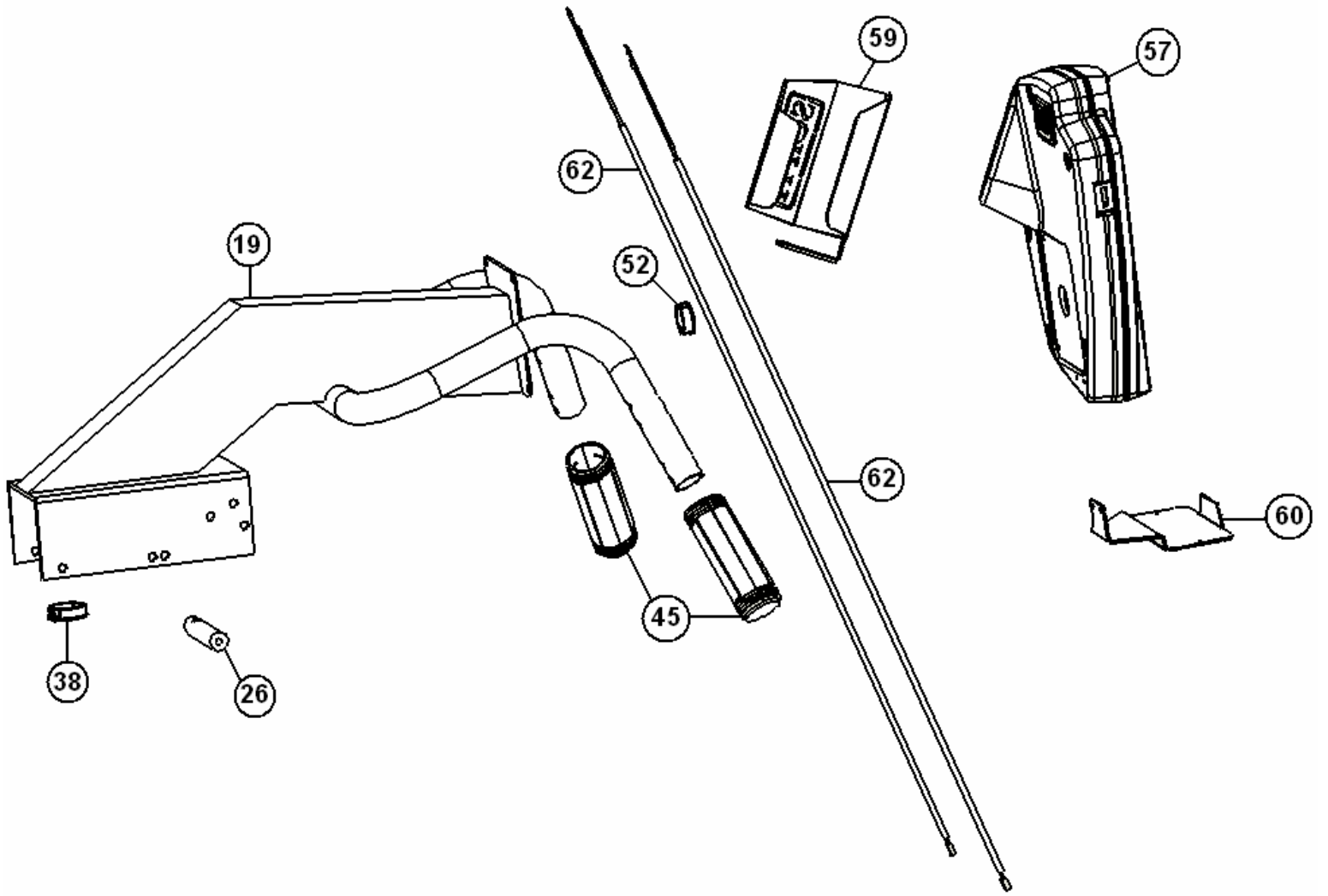


ISO1004R Assembly Drawings

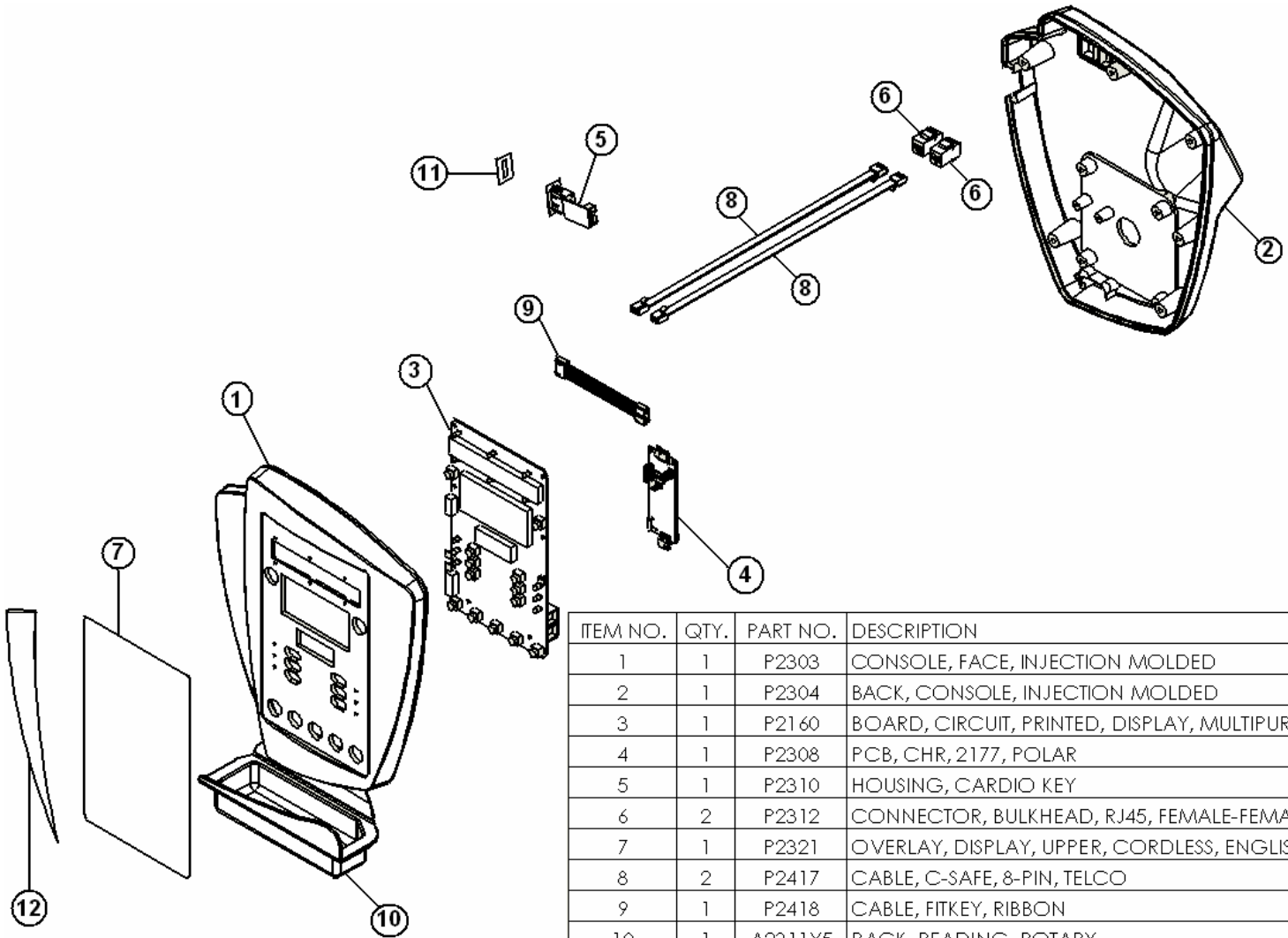








Item No. 57



ITEM NO.	QTY.	PART NO.	DESCRIPTION
1	1	P2303	CONSOLE, FACE, INJECTION MOLDED
2	1	P2304	BACK, CONSOLE, INJECTION MOLDED
3	1	P21.60	BOARD, CIRCUIT, PRINTED, DISPLAY, MULTIPURPOSE
4	1	P2308	PCB, CHR, 2177, POLAR
5	1	P2310	HOUSING, CARDIO KEY
6	2	P2312	CONNECTOR, BULKHEAD, RJ45, FEMALE-FEMALE
7	1	P2321	OVERLAY, DISPLAY, UPPER, CORDLESS, ENGLISH
8	2	P2417	CABLE, C-SAFE, 8-PIN, TELCO
9	1	P2418	CABLE, FITKEY, RIBBON
10	1	A2311X5	RACK, READING, ROTARY
11	1	P2718	DECAL, KEYSLOT, FITKEY
12	1	P2720	DECAL, LABEL, CONSOLE, FITKEY

Item No.	Qty.	Part No.	Description
1	1	C1012	Weldment, Frame, Base, Recumbent
2	1	C1143	Weldment, Seat Base, ISO1000R
3	1	A1015	Bracket, Wheel, Left
4	1	A1016	Bracket, Wheel, Right
5	1	A1119	Lever, Adj., Position, Seat, Assy.
6	1	C1654	Plate, Side, Drivetrain, Right, Recumbent
7	1	C1653	Plate, Side, Drivetrain, Left, Recumbent
8	1	A1149	Track, Adj., SST, Recumbent
9	2	A1222	Extrusion, Rail, 34", Recumbent
10	1	P2588	Pad, Seat, Back
11	1	P2587	Pad, Seat, Bottom
12	1	A1144	Weldment, Handlebar, Seat
13	2	C1113	Frame, Seat, ISO1000R
14	20	P1038	Roller, Urethane, 1-1/4 Dia. X 3
15	1	P1125	Knob, 7/16-20, Round
16	1	A1546	Support, Cover, Cordless
17	1	A1120	Bracket, Spring
18	1	A1641	Stiffener, Frame, Cordless
19	1	A2407	Display, Handlebar, Contact HR
20	4	A1890	Cap, Base, 3", Adj., 65 Durometer
21	4	P2249	Cap, Frame, Seat
22	1	A1115	Bracket, Position, Adj., Lever
23	1	A1146	Rod, Lock, Recumbent
24	2	A1131	Spacer, Frame
25	1	A1230	Stiffener, Side Plate, Idler
26	1	A1538	Bar, Tensioning, Brake, Cordless
27	1	A1545	Pulley, Drive, Brake, 13"
28	1	A1655	Cover, Side, Recumbent, Cordless, Left
29	1	A1656	Cover, Side, Recumbent, Cordless, Right
30	2	A1659	Cover, Crank, Pedal
31	1	A1667	Assy., Spindle, Crank, Cordless
32	1	P1060	Grommet, Hole, 1" Dia.
33	1	P1063	Wheel, Front
34	1	P1091	Idler, Recumbent
35	4	P1095	Flangette, Bearing
36	2	P1096	Bearing, Spindle, Drive, SB204-12
37	2	P1100	Decal, SCIFIT, 2.75 X 12, 1000
38	1	P1105	Grommet, Hole, 1-1/2" Dia.
39	2	P1106	Decal, Plate, Scuff
40	2	P1191	Crank, 175mm, Pair
41	1	P2161	PCB, Lower, Rotary, B/W
42	1	P1575	Pulley, Poly-V, 30mm, Cordless

Item No.	Qty.	Part No.	Description
43	1	P1564	Battery, Rechargeable, Cordless
44	1	P1563	Receptacle, Power, Mount, Panel
45	2	P2746	Grip, HR, Contact, 1.5ID, Pair
46	10	P1933	Clip, Cord, Adhesive Backed
47	1	A1570	Bracket, Mounting, Battery, Cordless
48	1	P2273	Pedal, Bike, Right
49	1	P2274	Pedal, Bike, Left
50	4	P1051	Standoff, 6-32 X 1/4, 1", M-F
51	1	P1521	Brake, Cordless, Hybrid, w/ Roller Clutch
52	1	P2122	Grommet, Hole, 1 1/4" Dia.
53	1	P1566	Grommet, Hole, Shutter, Cordless
54	1	P1550	Belt, Poly-V, Cordless
55	1	P1813	Decal, Model, ISO1000R
56	1	A1549	Plate, Entry, Power, Cordless
57	1	B2387	Console, Injection Molded, Assy.
58	1	P2419	Cable, P.S., Display, Ribbon
59	1	A2307	Holder, Bottle, Rotary
60	1	A2311	Rack, Reading, Rotary
61	1	P2520	Rod, Tensioning, Brake, 5.25"
62	2	P2772	Cable, CHR, HG, 2177, 39"
63	1	P1947	Suppressor, EMI, Fair-rite, UL/CE
64	1	P1983	Decal, Number, .75" Spacing, 1-20